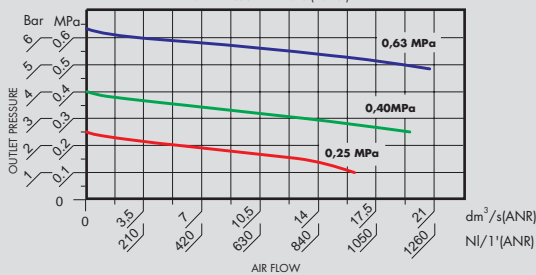


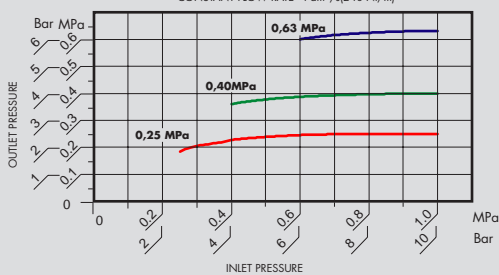
FLOW CHARTS

INLET PRESSURE = 1 MPa (10 Bar)

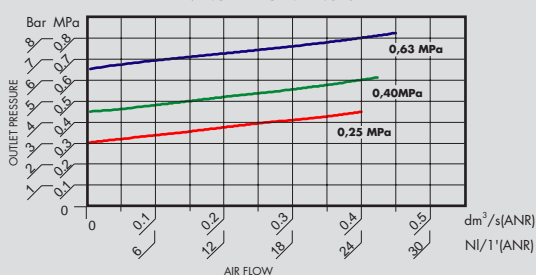


REGULATION FEATURES

CONSTANT FLOW RATE=4 dm³/s[240 NI/m]

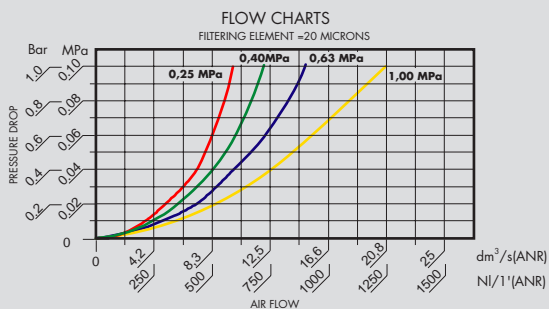
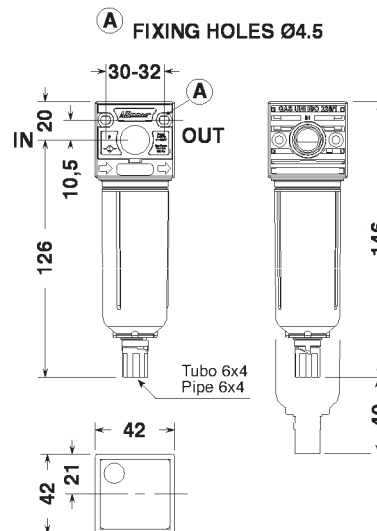
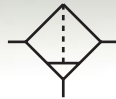


RELIEVING PERFORMANCES



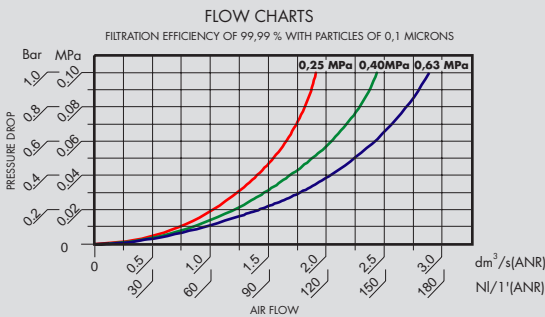
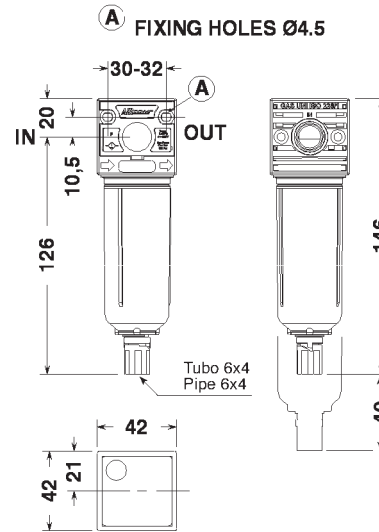
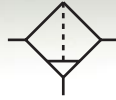
Regulator

- * Sensitive high performance model with rolling diaphragm; high stability with low load losses and big flow rate.
- * Can be wall mounted using the relative holes or a bracket.
- * Lockable safety knob.
- * Built-in overpressure relieving function.
- * Pressure ranges:
 - 0÷4 Bar, 0÷8 Bar (standard), 0÷12,5 Bar
 - 0÷0,4 MPa, 0÷0,8 MPa (standard), 0÷1,25 MPa
- * Maximum inlet pressure: 16,0 Bar (1,60 MPa).
- * Temperature range: 5÷50°C (41÷122°F).
- * Gauge connection: G1/8".
- * Max. torque inserts G1/4" IN-OUT: 25 N·m.
- * Reference flow rate (P=6,3 Bar - Δp=1 Bar): 850 NI/min.
- * Weight: 0,125 Kg.

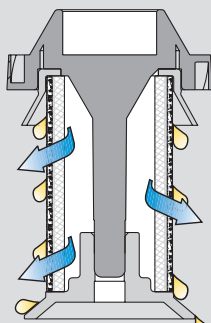


Filter

- * High level of condensate separation.
- * Low pressure drop.
- * Can be wall mounted using the relative holes.
- * Filtering degree: 5 micron and 20 micron (standard).
- * Manual and semiautomatic condensate drainage in the integrated (SS) or float type automatic version (SA).
- * Bowl available in two configurations: transparent toughened polyamide or with outer bowl guard.
- * Collected quantity of condensate: 22 cc.
- * Maximum operating pressure: 16,0 Bar (1,60 MPa).
- * Temperature range: 5+50°C (41+22°F).
- * Max. torque inserts G1/4" IN-OUT: 25 N·m.
- * Reference flow rate (P=10 Bar - Δp=1 Bar): 1250 NI/min.
- * Weight: 0,095 Kg.



Coalescent Cartridge

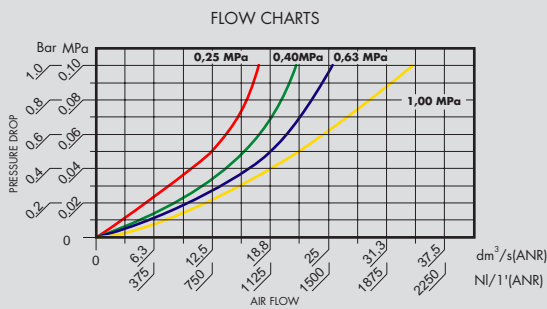
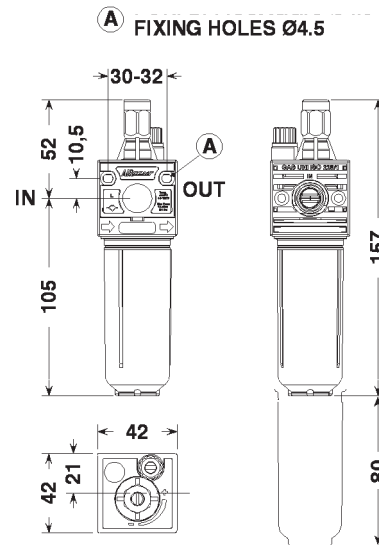


FUNCTIONING
The air with impurity enter into the special cartridge with high efficiency, that stop solid particles, capture and join outside particles of oil and condensate (coalescent effect). In this way, they easily fall down at the bottom of the bowl, where condensate is discharged. Filtered air obtained is without solid and liquid parts.

Coalescent oil-proof microfilter

Essential in circuits where oil is not permitted.

- * Coalescent cartridge made in microfiber, allows an high filtration efficiency of 99,99% on 0,1 micron particles.
- * Can be wall mounted using the relative holes.
- * Manual and semiautomatic condensate drainage in the integrated (SS) or float type automatic version (SA).
- * Bowl available in two configurations: transparent toughened poliamide or with outer bowl guard.
- * It is advisable to install a filter with 5 micron element, to consent long-lasting of coalescent cartridge.
- * Maximum operating pressure: 16,0 Bar (1,60 MPa).
- * Temperature range: 5+50°C (41+122°F).
- * Max. torque inserts G1/4" IN-OUT: 25 N·m.
- * Reference flow rate (P=6,3 Bar - Δp=1 Bar): 195 NI/min.
- * Weight: 0,095 Kg.



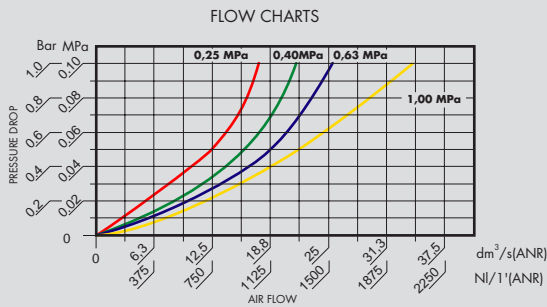
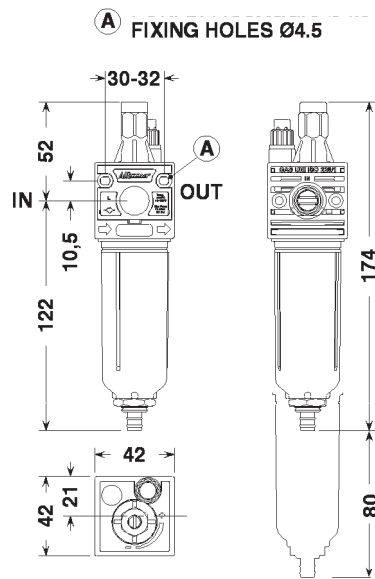
MINIMUM OPERATING FLOW

Inlet Pressure			Minimum Air Flow		
Psi	MPa	Bar	dm ³ /s (ANR)	NI/1' (ANR)	SCFM
36	0,25	2,50	0,36	22	0.77
58	0,40	4,00	0,43	26	0.92
91	0,63	6,30	0,50	30	1.05

Lubricator

Proportional oil mist type.

- * Constantly steady delivery.
- * Suction ensured even with low flow rates.
- * Sensitive lubricant flow adjustment.
- * 360° drip display.
- * Oil fill plug.
- * Can be wall mounted using the relative holes.
- * Bowl available in two configurations: transparent toughened polyamide or with outer bowl guard.
- * Bowl capacity: 42 cc.
- * Recommended oil viscosity ISO VG32.
- * Maximum operating pressure: 16,0 Bar (1,60 MPa).
- * Temperature range: 5+50°C (41+122°F).
- * Max. torque inserts G1/4" IN-OUT: 25 N-m.
- * Reference flow rate (P=10 Bar - Δp=1 Bar): 2060 NI/min.
- * Weight: 0,095 Kg.



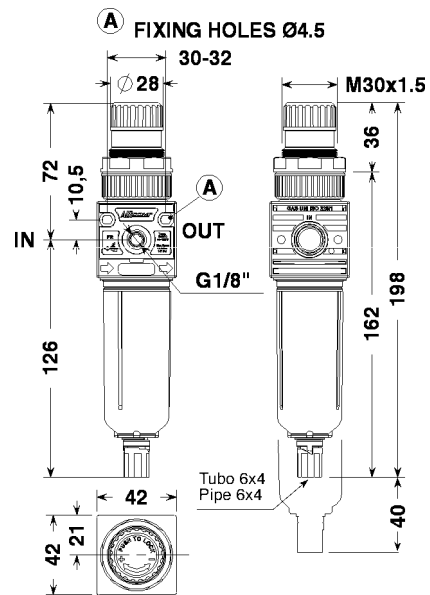
MINIMUM OPERATING FLOW

Inlet Pressure			Minimum Air Flow		
Psi	MPa	Bar	dm ³ /s (ANR)	NI/1' (ANR)	SCFM
36	0,25	2,50	0,36	22	0,77
58	0,40	4,00	0,43	26	0,92
91	0,63	6,30	0,50	30	1,05

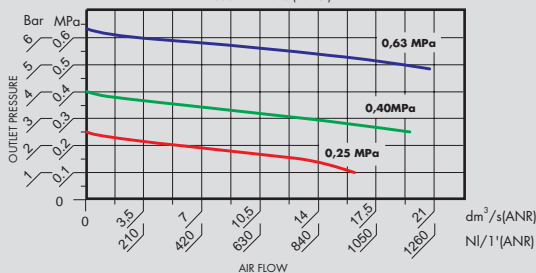
Automatic filling lubricator

Essential when the oil must be quickly and safely loaded without interrupting the normal operation of the system.

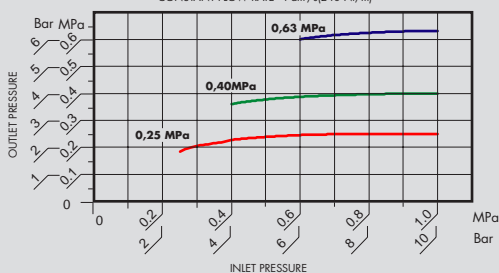
- * Filling is achieved by keeping the button at the base of the lubricator casing depressed. This provokes a vacuum inside the bowl enabling the oil to be intaken.
- * The flow will only interrupt when the button is released.
- * The oil level must be visually inspected.
- * Minimum activation pressure: 3 Bar (0,3 MPa).
- * Other functional features as standard model.
- * Reference flow rate (P=10 Bar - Δp=1 Bar): 2060 NI/min.
- * Weight: 0,140 Kg.



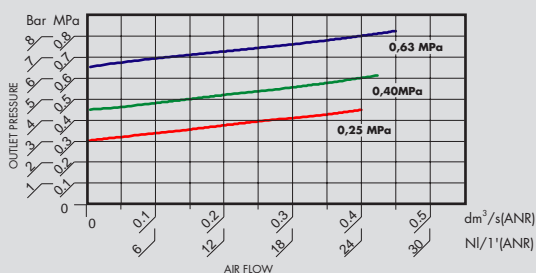
FLOW CHARTS
INLET PRESSURE = 1 MPa (10 Bar)



REGULATION FEATURES
CONSTANT FLOW RATE=4 dm³/s(240 NI/min)



RELIEVING PERFORMANCES

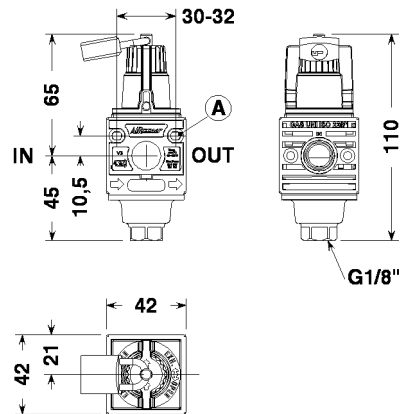


Filter regulator

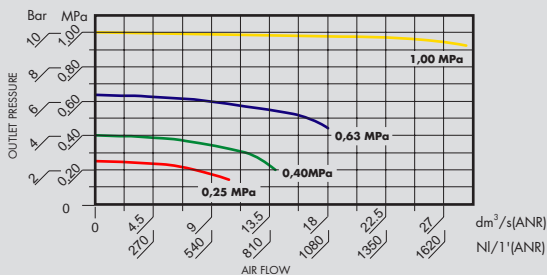
- * Sensitive high performance model with rolling diaphragm; high stability with low load losses and big flow rate.
- * Can be wall mounted using the relative holes or on brackets.
- * Lockable safety knob.
- * Built-in overpressure relieving function.
- * High level of condensate separation.
- * Pressure ranges:
0÷4 Bar, 0÷8 Bar (standard), 0÷12,5 Bar
0÷0,4 MPa, 0÷0,8 MPa (standard), 0÷1,25 MPa
- * Filtering degree: 5 micron and 20 micron (standard).
- * Manual and semiautomatic condensate drainage in the integrated (SS) or float type automatic version (SA).
- * Bowl available in two configurations: transparent toughened polyamide or with outer bowl guard.
- * Collected quantity of condensate 22 cc.
- * Maximum operating pressure 16,0 Bar (1,60 MPa).
- * Temperature range 5÷50°C (41÷122°F).
- * Max. torque inserts G1/4" IN-OUT: 25 N·m.
- * Reference flow rate (P=6,3 Bar - Δp=1 Bar): 850 NI/min.
- * Weight: 0,160 Kg.



(A) FIXING HOLES Ø4.5



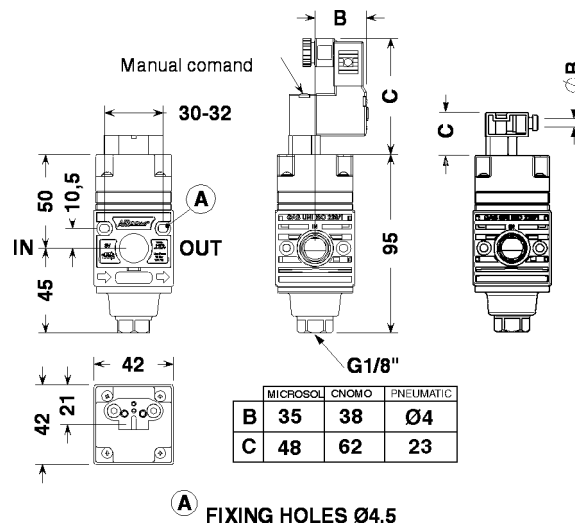
FLOW CHARTS



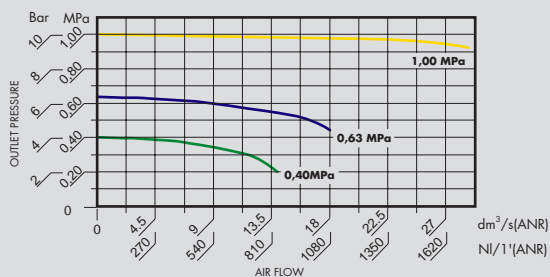
3 Way on-off valve with lock

- Used to shut off the air supply while relieving the downstream circuit.
- * The block device is particularly useful during maintenance operations. It prevents the system from being accidentally or wrongly pressurized.
 - * It can be wall mounted using the relative holes.
 - * Discharge connection: G 1/8".
 - * Maximum inlet pressure: 16,0 Bar (1,60 MPa).
 - * Temperature range: 5+50°C (41+122°F).
 - * The device is equipped with 1 lock.
 - * Max. torque inserts G1/4" IN-OUT: 25 N·m.
 - * Reference flow rate (P=10 Bar - Δp=1 Bar): 1570 NI/min.
 - * Weight: 0,155 Kg.

Shut-off valve



FLOW CHARTS

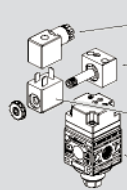


Microsol Control



- C50.26.00002 KIT C. ELECTR. 3/2 NC 2W 24V CC
- C50.26.00003 KIT C. ELECTR. 3/2 NC 1W 24V AC
- C50.26.00004 KIT C. ELECTR. 3/2 NC 1W 110V AC
- C50.26.00005 KIT C. ELECTR. 3/2 NC 1W 220V AC
- 042.26.00002 SV 1/4" 042 PRED. C. ELECTR. MICROSOL/PNEUM.

Cnomo Control



- A50.26.00010 CONN. CNOMO
- C40.26.00011 C. ELECTR EV 3/2 NC CNOMO
- A50.26.00006 SOL. 2,5W 24V CC
- A50.26.00007 SOL. 2,5W 24V AC
- A50.26.00008 SOL. 2,5W 110V AC
- A50.26.00009 SOL. 2,5W 220V AC
- 042.26.00001 SV 1/4" 042 PRED. C. ELECTR. CNOMO

Pneumatic Control



- C40.26.00014 KIT C. PNEUM.
- 042.26.00002 SV 1/4" 042 PRED. C. ELECTR. MICROSOL/PNEUM.

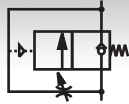
Shut-off valve

Device used to shut off the air supply while relieving the downstream circuit by a remote electric control.

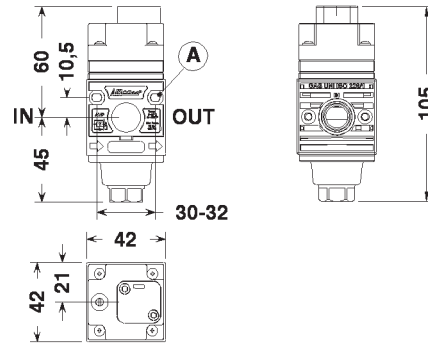
- * Available with MICROSOL type or in compliance with CNOMO standards (to be ordered separately).
- * Available with remote pneumatic control.
- * It can be wall mounted using the relative holes.
- * Discharge connection: G1/8".
- * Minimum pressure admitted: 3 Bar (0,3 MPa).
- * Maximum working pressure: 10 Bar (1 MPa).
- * Temperature range: 5+50°C (41+122°F).
- * Max. torque inserts G1/4" IN-OUT: 25 N·m.
- * Reference flow rate (P=10 Bar - Δp=1 Bar): 1570 NI/min.
- * Weight: 0,189 Kg.

042 1/4"

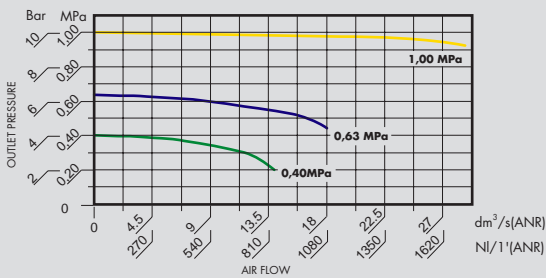
Slow start valve



A FIXING HOLES Ø4,5



FLOW CHARTS



Slow start valve

- Gradually pressurizes the system until reaching the set operating pressure value.
- * Before delivering the maximum available pressure, the air is allowed to slowly flow around the downstream circuit until about 60% of the pressure is reached upstream.
- * Use the built-in flow governor to establish the pressurizing time.
- * It can be wall mounted using the relative holes.
- * Minimum pressure admitted: 3 Bar (0,3 MPa).
- * Maximum working pressure: 10 Bar (1 MPa).
- * Temperature range: 5÷50°C (41÷122°F).
- * Max. torque inserts G1/4" IN-OUT: 25 N·m.
- * Reference flow rate (P=10 Bar - Δp=1 Bar): 1570 NI/min.
- * Weight: 0,136 Kg.

The new line 042 is characterized by a high versatility thanks to the double assembling system.

In fact, the usual UNIT ASSEMBLING KIT (see picture 1) is utilized for assembling standard combined units such as FR+L, V3+FR+L, F+R+L, F+L e F+MF. Besides being really practical and functional, this unit assembling kit reduces to the minimum the assembled unit overall dimensions.

Whereas, the BATTERY ASSEMBLING KIT (see picture 2) is utilized for assembling particularly complex groups. This battery assembling kit, which is preassembled on single standard products, allows the realization of innumerable combinations so as to actually meet the most demanding application requirements.

Fig. 1

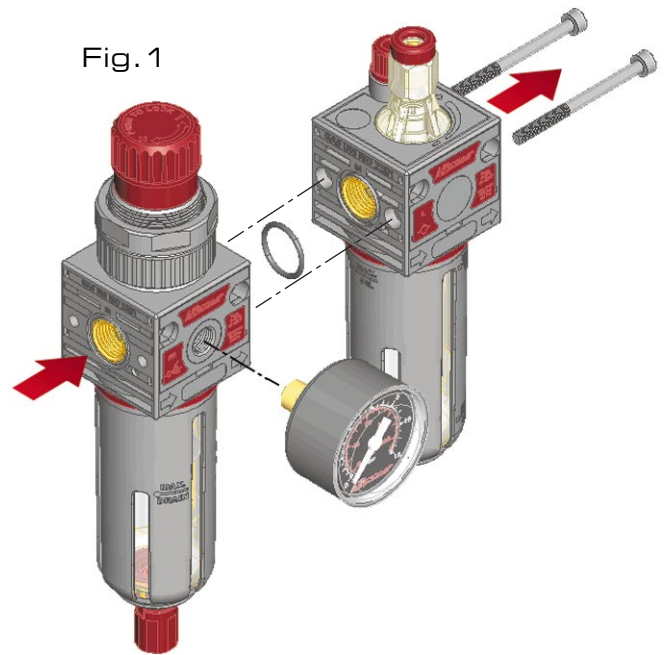
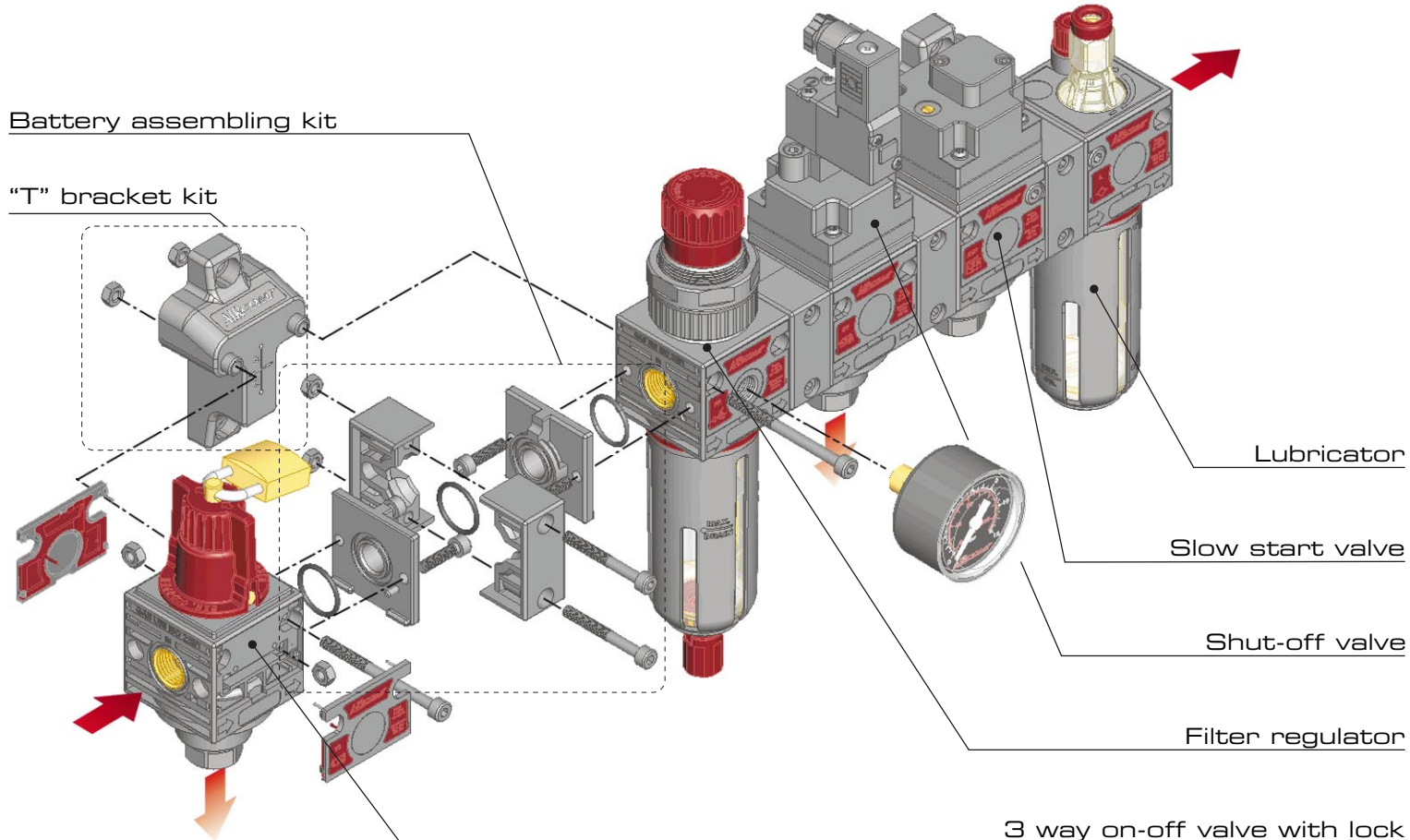


Fig. 2



Guide to references

42 FR 2 20 8 S

Line
42

Special Type

V = Vacuum loading

Drain

S = Manual and semi-automatic (standard)

A = Automatic

Product

R = Regulator
F = Filter
L = Lubricator
FR = Filter regulator
V3 = 3 Way on-off valve
SV = Shut-off valve
AVP = Slow start valve

Connection

2 = 1/4"

Filtering element

5 = 5 micron
20 = 20 micron
01 = 0,1 micron

Range of pressure

4 = 0+4 Bar
8 = 0+8 Bar
12 = 0+12 Bar

Regulator



CODE	REF.
42 R 2 04 R	Regulator 1/4" 4Bar
42 R 2 08 R	Regulator 1/4" 8Bar
42 R 2 12 R	Regulator 1/4" 12Bar

Lubricator



CODE	REF.
42 L 2	Lubricator 1/4"
42 L 2 V	Lubricator 1/4" - Vacuum loading

Filter



CODE	REF.
42 F 2 20 S	Filter 1/4" 20mic Semi
42 F 2 20 A	Filter 1/4" 20mic Auto
42 F 2 5 S	Filter 1/4" 5mic Semi
42 F 2 5 A	Filter 1/4" 5mic Auto

Filter regulator



CODE	REF.
42 FR 2 20 04 R S	Filter/Reg. 1/4" 20mic 4Bar Semi
42 FR 2 20 08 R S	Filter/Reg. 1/4" 20mic 8Bar Semi
42 FR 2 20 12 R S	Filter/Reg. 1/4" 20mic 12Bar Semi
42 FR 2 5 04 R S	Filter/Reg. 1/4" 5mic 4Bar Semi
42 FR 2 5 08 R S	Filter/Reg. 1/4" 5mic 8Bar Semi
42 FR 2 5 12 R S	Filter/Reg. 1/4" 5mic 12Bar Semi
42 FR 2 20 04 R A	Filter/Reg. 1/4" 20mic 4Bar Auto
42 FR 2 20 08 R A	Filter/Reg. 1/4" 20mic 8Bar Auto
42 FR 2 20 12 R A	Filter/Reg. 1/4" 20mic 12Bar Auto
42 FR 2 5 04 R A	Filter/Reg. 1/4" 5mic 4Bar Auto
42 FR 2 5 08 R A	Filter/Reg. 1/4" 5mic 8Bar Auto
42 FR 2 5 12 R A	Filter/Reg. 1/4" 5mic 12Bar Auto

= Standard version

3 Way on-off valve



CODE	REF.
→ 42 IV 2	Isolation Valve 1/4"

Shut-off valve



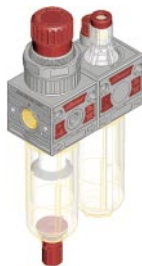
CODE	REF.
→ 42 IV S/P 2	Isolation Valve 1/4" Solenoid/Pneu. Control
C50.26.00002	Sol. Kit for 42 IV S/P-24VDC
C50.26.00003	Sol. Kit for 42 IV S/P-24VAC
C50.26.00004	Sol. Kit for 42 IV S/P-110VAC
C50.26.00005	Sol. Kit for 42 IV S/P-220VAC
C40.26.00014	Pneumatic Control kit for 42 IV S/P2
CODE	REF.
→ 42 IV C 2	Isolation Valve 1/4" CNOMO Control
C40.26.00011	3/2 Way Sol. Valve for 42 IV C 2
A50.26.00006	Coil DC 24V Sp.=22mm
A50.26.00007	Coil AC 24V Sp.=22mm
A50.26.00008	Coil AC 110V Sp.=22mm
A50.26.00009	Coil AC 220V Sp.=22mm
A50.26.00010	Connector 22mm

Slow start valve



CODE	REF.
→ 42 SS 2	Slow Start 1/4"

FR+L Unit

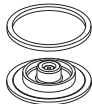


CODE		
→ 42 FR+L 2 20 04 S	FR+L 1/4" 20mic 4Bar Semiauto	
42 FR+L 2 20 08 S	FR+L 1/4" 20mic 8Bar Semiauto	
42 FR+L 2 20 12 S	FR+L 1/4" 20mic 12Bar Semiauto	
42 FR+L 2 5 04 S	FR+L 1/4" 5mic 4Bar Semiauto	
42 FR+L 2 5 08 S	FR+L 1/4" 5mic 8Bar Semiauto	
42 FR+L 2 5 12 S	FR+L 1/4" 5mic 12Bar Semiauto	
42 FR+L 2 20 04 A	FR+L 1/4" 20mic 4Bar Auto	
42 FR+L 2 20 08 A	FR+L 1/4" 20mic 8Bar Auto	
42 FR+L 2 20 12 A	FR+L 1/4" 20mic 12Bar Auto	
42 FR+L 2 5 04 A	FR+L 1/4" 5mic 4Bar Auto	
42 FR+L 2 5 08 A	FR+L 1/4" 5mic 8Bar Auto	
42 FR+L 2 5 12 A	FR+L 1/4" 5mic 12Bar Auto	
42 FR+L 2 20 08 S V	FR+L 1/4" 20mic 8Bar SA Vac Load	
42 FR+L 2 20 12 S V	FR+L 1/4" 20mic 12Bar SAVac Load	
42 FR+L 2 5 08 S V	FR+L 1/4" 5mic 8Bar SA Vac Load	
42 FR+L 2 5 12 S V	FR+L 1/4" 5mic 12Bar SA Vac Load	
42 FR+L 2 20 08 A V	FR+L 1/4" 20mic 8Bar A Vac Load	
42 FR+L 2 20 12 A V	FR+L 1/4" 20mic 12Bar A Vac Load	
42 FR+L 2 5 08 A V	FR+L 1/4" 5mic 8Bar A Vac Load	
42 FR+L 2 5 12 A V	FR+L 1/4" 5mic 12Bar A Vac Load	

→ = Standard version

Spare parts

Diaphragm complete



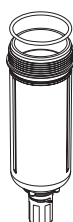
CODE	PROD.	VERSION
C42.01.00013	R - FR	RELIEVING
C42.01.00014	R - FR	NON RELIEVING

Regulation spring



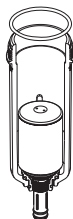
CODE	PROD.	SET REGULATION
A38.00.00040	MR - R - FR	0÷4 Bar
A38.00.00020	MR - R - FR	0÷8 Bar
A38.00.00021	MR - R - FR	0÷12 Bar

Bowl for filter



CODE	PROD.	VERSION
C40.02.00062	F - FR - MF	TT SS
C40.02.00108	F - FR - MF	PE SS

Bowl with automatic drain



CODE	PROD.	VERSION
C40.02.00133	F - FR - MF	TT SA
C40.02.00134	F - FR - MF	PE SA

Bowl for lubricator



CODE	PROD.	VERSION
C40.03.00082	L	TT
C40.03.00084	L	PE
C40.03.01016	VL	TT
C40.03.01017	VL	PE

Filtering element



CODE	PROD.	VERSION
C40.02.00101	F	20 MICRON
C42.04.00001	FR	20 MICRON
C40.02.00106	F	5 MICRON
C42.04.00005	FR	5 MICRON
C40.02.00053	MF	0,1 MICRON

Oil window



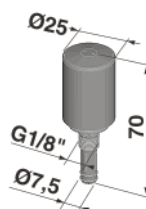
CODE	PROD.
C42.03.00005	L

Oil plug with OR 2031



CODE	PROD.
C75.03.00011	L

Automatic drain



CODE	PRODUCT
C40.02.00130	F - FR - MF

Mounting kit for automatic drain



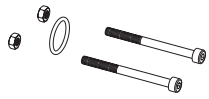
CODE	PRODUCT
C40.02.00131	F - FR - MF

Gauge



CODE	Bar	Psi	A	B	CH.
A38.00.00026	0÷12	0÷175	40	G1/8"	14
A38.00.00055	0÷6	0÷85	40	G1/8"	12

Kit assembling units



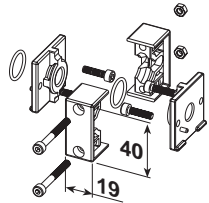
CODE	PRODUCT
C40.05.00001	F+R+L - V3+FR+L
C40.06.00001	FR+L
C40.07.00001	F+L - F+MF

Plug



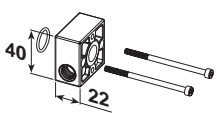
CODE	CONNECTION
B38.00.00018	G1/8"
A42.01.00010	G1/4" (air takeoff)

Battery assembling kit



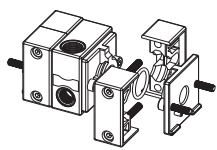
CODE
C42.06.00001

Air takeoff for units



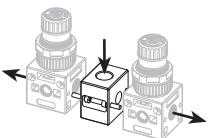
CODE	CONNECTION	PRODUCT
C40.05.00102	1/8"	F+R+L - FR+L V3+FR+L - F+L - F+MF
C40.05.00108	1/4"	F+R+L - FR+L V3+FR+L - F+L - F+MF
C40.05.00103	2 WAYS (1/4"-1/8")	F+R+L - FR+L V3+FR+L - F+L - F+MF

Battery air take-off



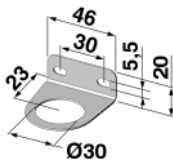
CODE	CONNECTIONS
C42.05.00003	n°1 G1/4" - n°2 G1/8"

Distribution block for two regulators



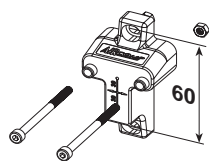
CODE
C40.05.00111

Bracket



CODE
C38.00.00069

"T" bracket kit



CODE
C42.05.00001