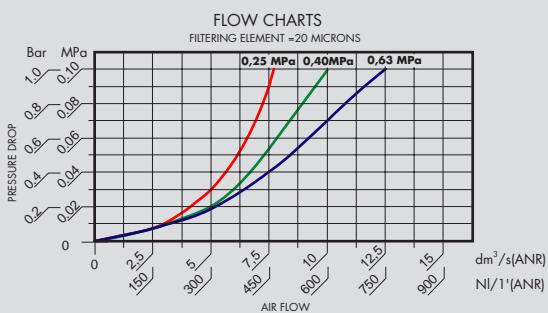
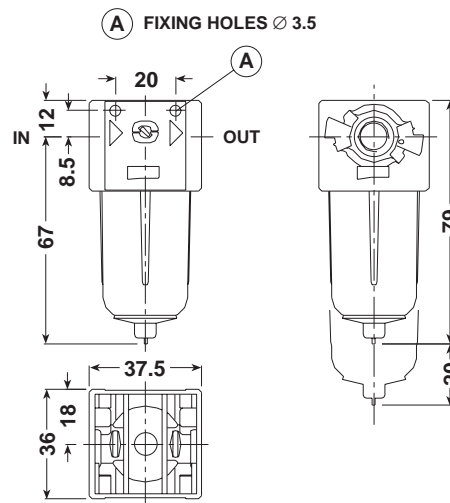


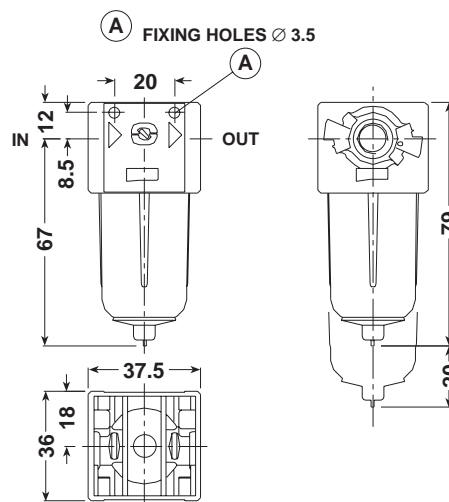
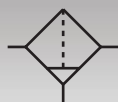
Modular microregulator

- * Operation with diaphragm.
- * Extremely easy to assemble thanks to the special coupling system
- * Can be used in air (with relieving and red knob) and water (without relieving and with black knob).
- * Can be wall mounted using the relative holes.
- * Pressure locking device.
- * Pressure regulation range 0÷6 Bar (0÷0,6 MPa).
- * Maximum inlet pressure: 10 Bar (1,00 MPa).
- * Temperature range 5÷50°C (41÷122°F).
- * Max. torque inserts G1/8" IN-OUT: 20 N·m.
- * Reference flow rate (P=6,3 Bar - Δp=1 Bar): 250 NI/min.
- * Weight 0,080 Kg.



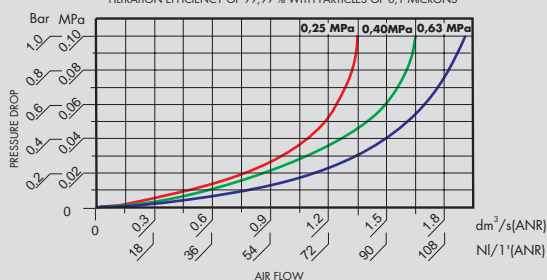
Modular filter

- * 5 micron, 20 micron (standard) and 80 micron (water) filtering element.
- * Transparent bowl in toughened polyamide.
- * Manually drained condensate.
- * Bayonet connection for quick bowl removal.
- * Can be wall mounted using the relative holes.
- * Collected quantity of condensate: 8 cc.
- * Maximum operating pressure: 7 Bar (0,70 MPa).
- * Temperature range: 5+50°C (41+122°F).
- * Max. torque inserts G1/8" IN-OUT: 20 N-m.
- * Reference flow rate (P=6,3 Bar - $\Delta p=1$ Bar): 750 NI/min.
- * Weight: 0,050 Kg



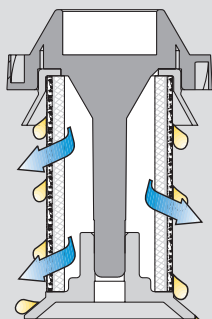
FLOW CHARTS

FILTRATION EFFICIENCY OF 99,99 % WITH PARTICLES OF 0,1 MICRONS



FUNCTIONING

The air with impurity enter into the special cartridge with high efficiency, that stop solid particles, capture and join outside particles of oil and condensate (coalescent effect). In this way, they easily fall down at the bottom of the bowl, where condensate is discharged. Filtered air obtained is without solid and liquid parts.

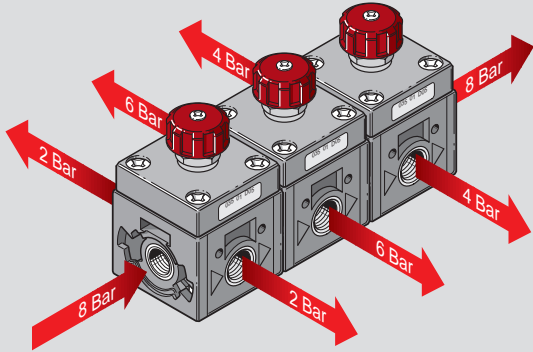


Coalescent oil-proof microfilter

Essential in circuits where oil and condensate are not permitted.

- * Coalescent cartridge made in microfiber, allows an high filtration efficiency of 99,99% on 0,1 micron particles.
- * Can be wall mounted using the relative holes.
- * Manually drained condensate.
- * Transparent bowl in toughened polyamide.
- * It is advisable to install a filter with 5 micron element, to consent long-lasting of coalescent cartridge.
- * Maximum operating pressure: 7 Bar (0,70 MPa).
- * Temperature range: 5+50°C (41+122°F).
- * Max. torque inserts G1/8" IN-OUT: 20 N·m.
- * Reference flow rate (P=6,3 Bar - Δp=1 Bar): 115 NI/min.
- * Weight: 0,050 Kg.

Microregulator for installation in batteries

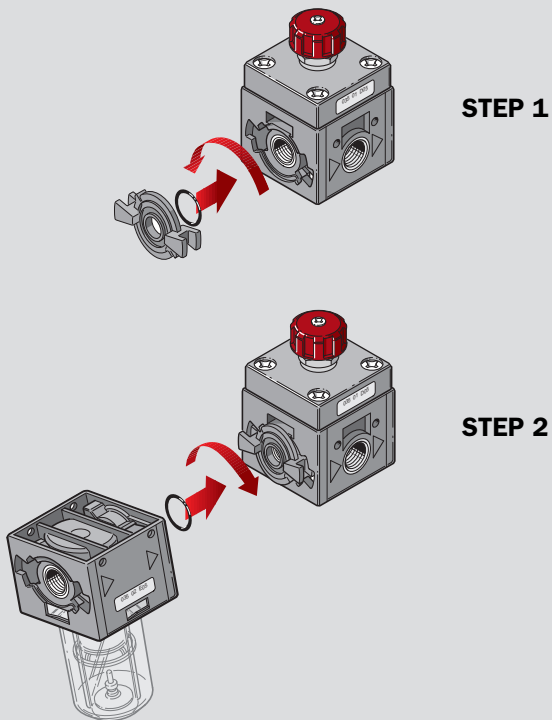


Microregulator for batteries

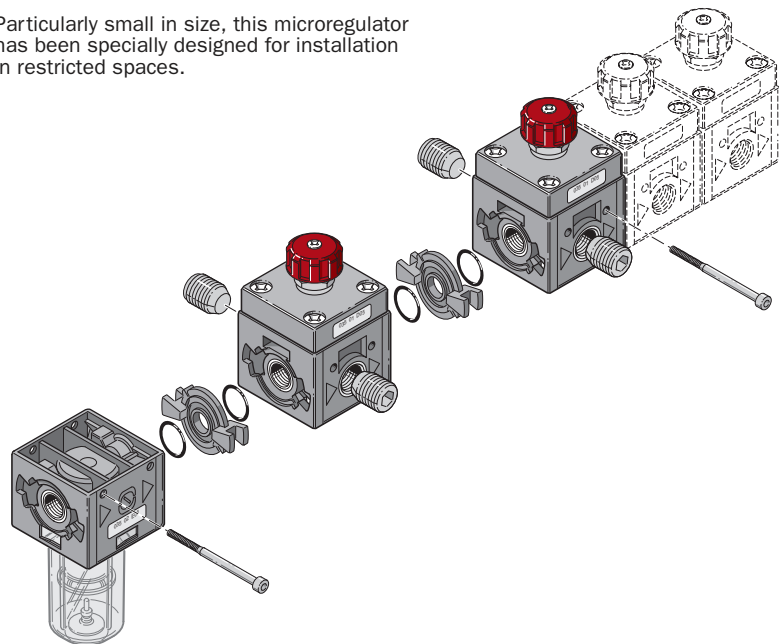
- * Special version for installation in batteries, obtaining different pressures from only one inlet.
- * Functional features as standard model.
- * Weight 0,080 Kg.

Assembling system line 035

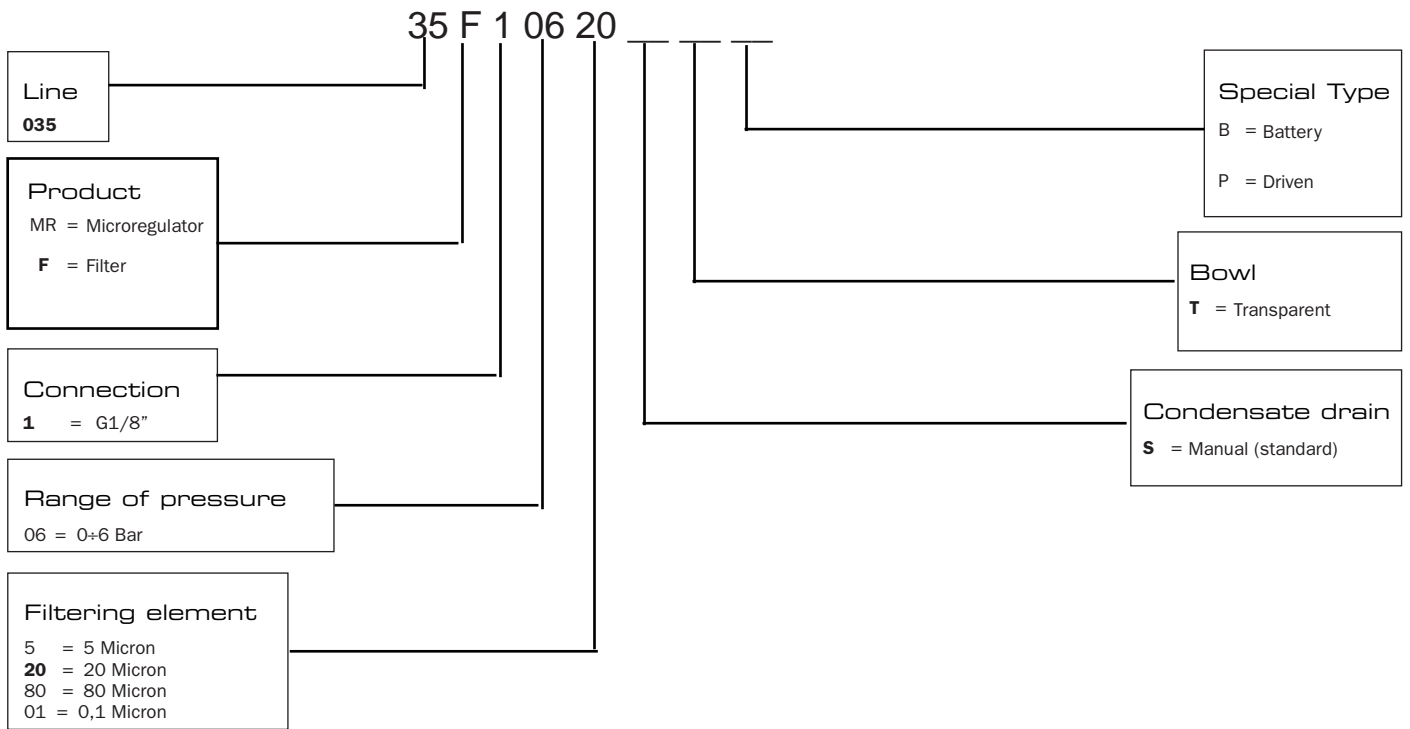
Modular assembling system



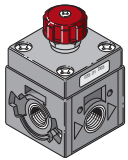
Particularly small in size, this microregulator has been specially designed for installation in restricted spaces.



Guide to references

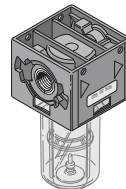


Microregulator



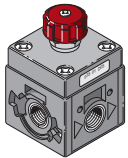
CODE
 → 35 MR 1 06 1/8", 10 Bar max inlet pressure, 6 Bar range

Filter



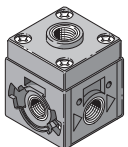
CODE
 → 35 F 1 5 S T 1/8", 5 micron filter, semi-auto drain
 35 F 1 20 S T 1/8", 20 micron filter, semi-auto drain
 35 F 1 80 S T 1/8", 80 micron filter (water), semi-auto drain
 35 F 1 01 S T 1/8", 0.1 micron coalescent filter, semi-auto drain

Microregulator for battery assembling



CODE
 35 MR 1 06 B 1/8", 10 Bar max inlet pressure, 6 Bar range

Driven microregulator

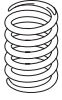


CODE
 35 MR 1 06 P

→ = Standard version

Spare parts

Regulation spring



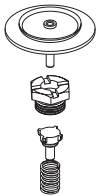
CODE	LINE	SET REGULATION
A35.01.00006	035	0÷6 Bar

Plug G1/8"



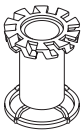
CODE	PRODUCT
B38.00.00018	MR - MR P

Diaphragm with valve



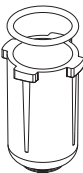
CODE	PRODUCT	VERSION
C38.00.00049	MR	RELIEVING
C38.00.00050	MR - MR P	NON RELIEVING

Filtering element



CODE	PRODUCT	VERSION
C35.02.00006	F	20 Micron
C35.02.00010	F	5 Micron
C35.02.00005	F	80 Micron
C35.02.00007	F	0,1 Micron

Bowl for filter



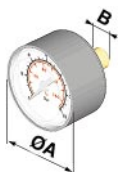
CODE	PRODUCT	VERSION
C35.02.00004	F	S
C35.03.00001	F	Per acqua - For Water

Kit assembling units



CODE	PRODUCT
C35.01.00018	MR - F

Gauge



CODE	Bar	Psi	A	B	CH.
A35.01.00025	0÷12	0÷175	25	G1/8"	11